

Filter Standard Sensing Assemblies

The 5000-03-00 standard Sensing Kit for Hydrant Dispenser Filter Vessels was introduced in early 2008 to standardise the components and layout for Liquip aviation refuelling equipment.

The 5000-03-04 assembly is the standard for most Refuellers.

The 5000-03-09 assembly is the standard only for Low Profile LEFT HAND orientation Dispensers (typically for Asia and the Middle East).

The Main Components in the kit (see illustration on following page) comprise the Air Eliminator, Depressurisation & Pressure relief / Check valves, and two small isolation Ball Valves.

**In late 2010 the Show Flow was removed from the assembly and relocated near the Collector Tank or Control Panel for easier operator viewing during fuelling operations.*



Dispenser 5000-03-00 Sensing Assembly



Refueller 5000-03-04 Sensing Assembly

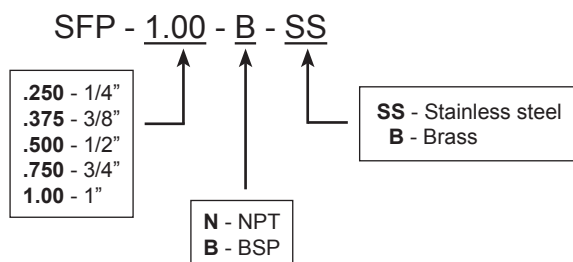
Show Flow

The "Show-Flow" is a visual indicator & shows flow in the fuel system by the yellow paddle-wheel spinning. The SFP style can be mounted both horizontal and vertical, offering bi-directional flow indication with low pressure losses.

The SFP style operates over a wide flow range, no routine maintenance required, low pressure loss and 230 PSI/400 degrees F capability. Constructed from high quality materials, these in-line indicators are suitable for many applications including water, oil, chemicals, air and gases.

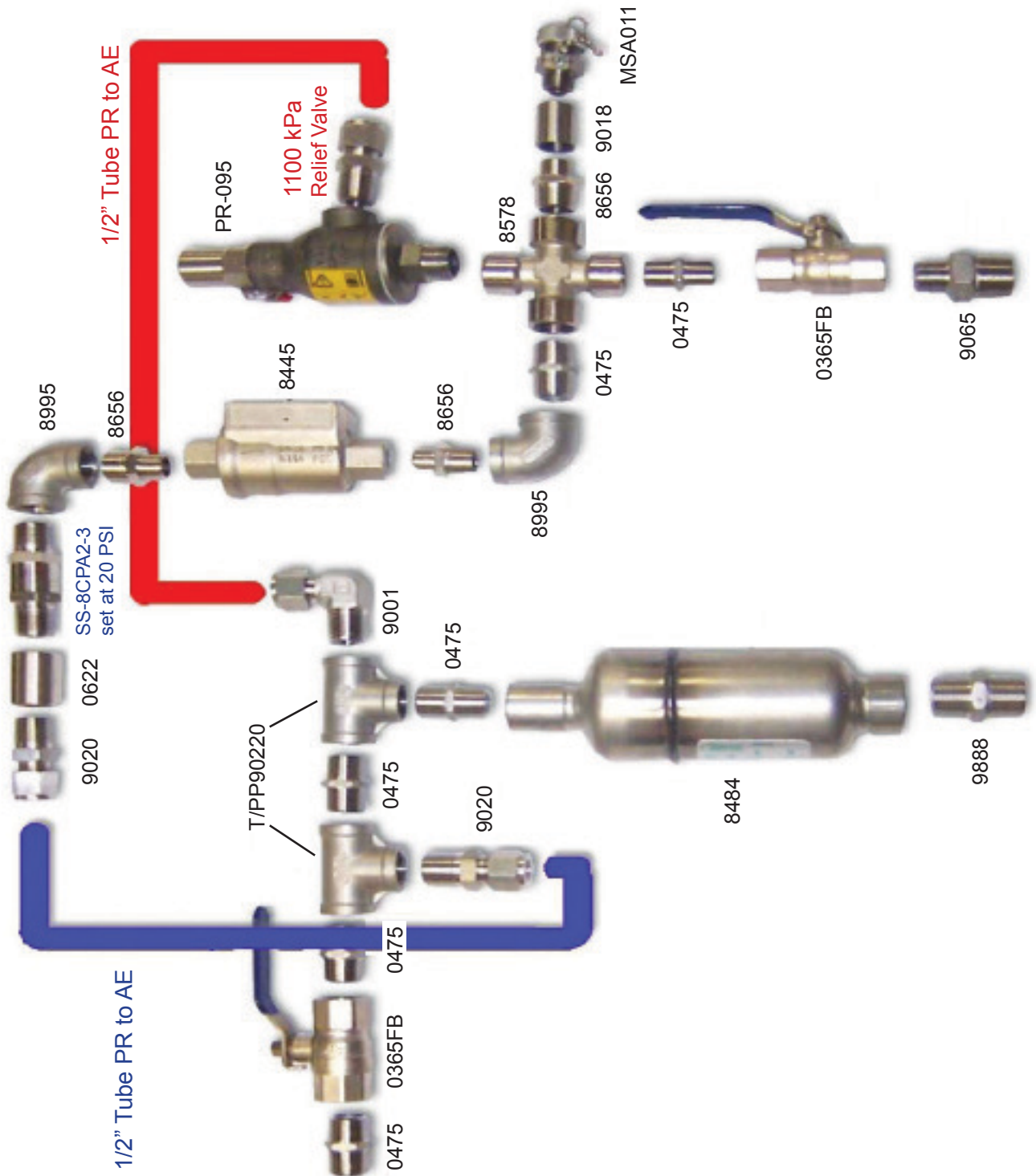


Ordering Information



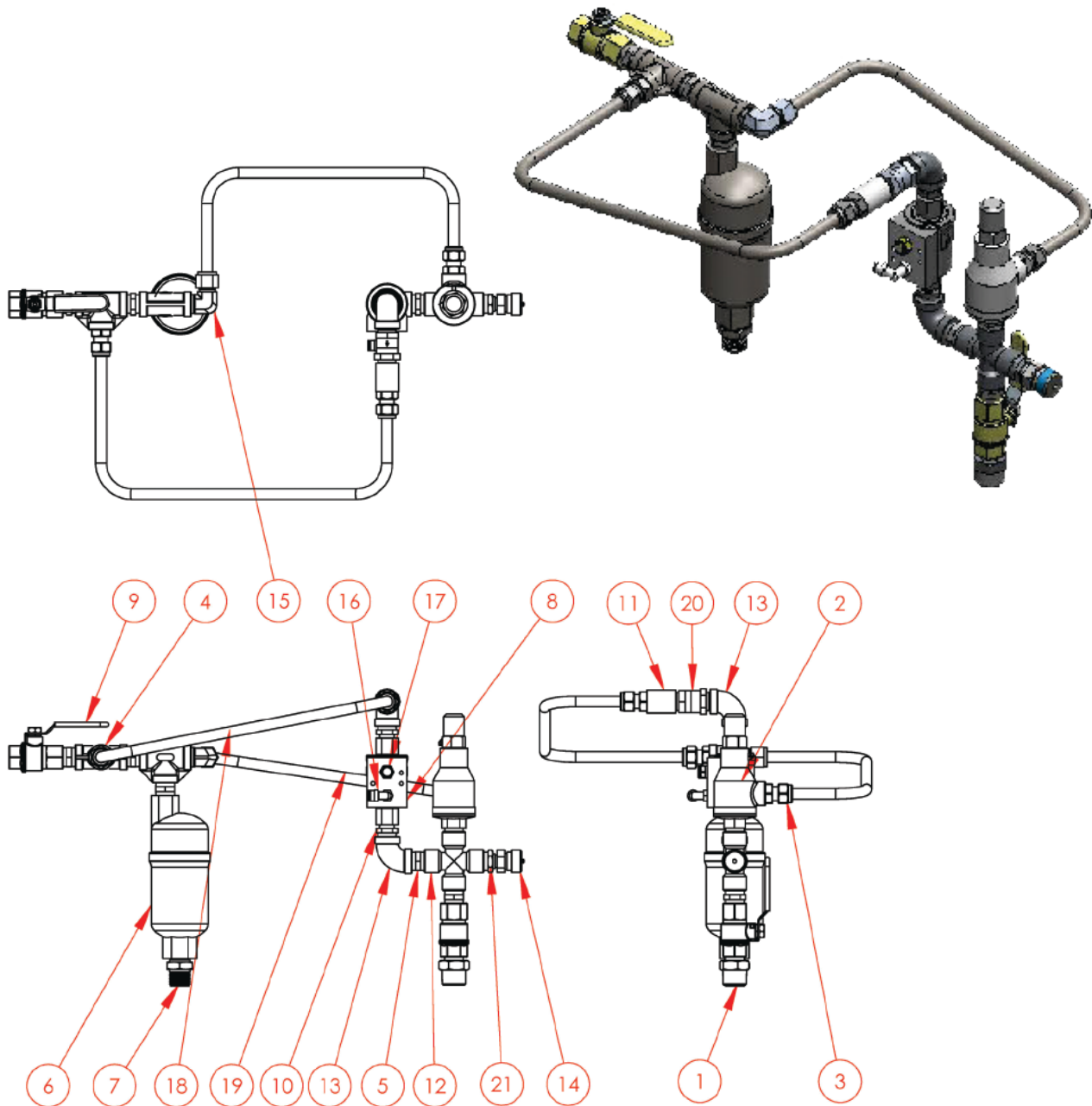
Filter Standard Sensing Assemblies

Sensing Assembly Kit



Filter Standard Sensing Assemblies

Ordering Information (Dispenser Assembly Kit - RH Operation)



NOTES:

1. Apply Loctite 243 Threadlocker to all threads on assembly.
2. Ensure that the Axial Valve (Item 10) is mounted in a vertical orientation as shown.
3. Set non return valve (Item 20) is set and engraved @ 20 P.S.I
4. Certificate Test completed.



Filter Standard Sensing Assemblies

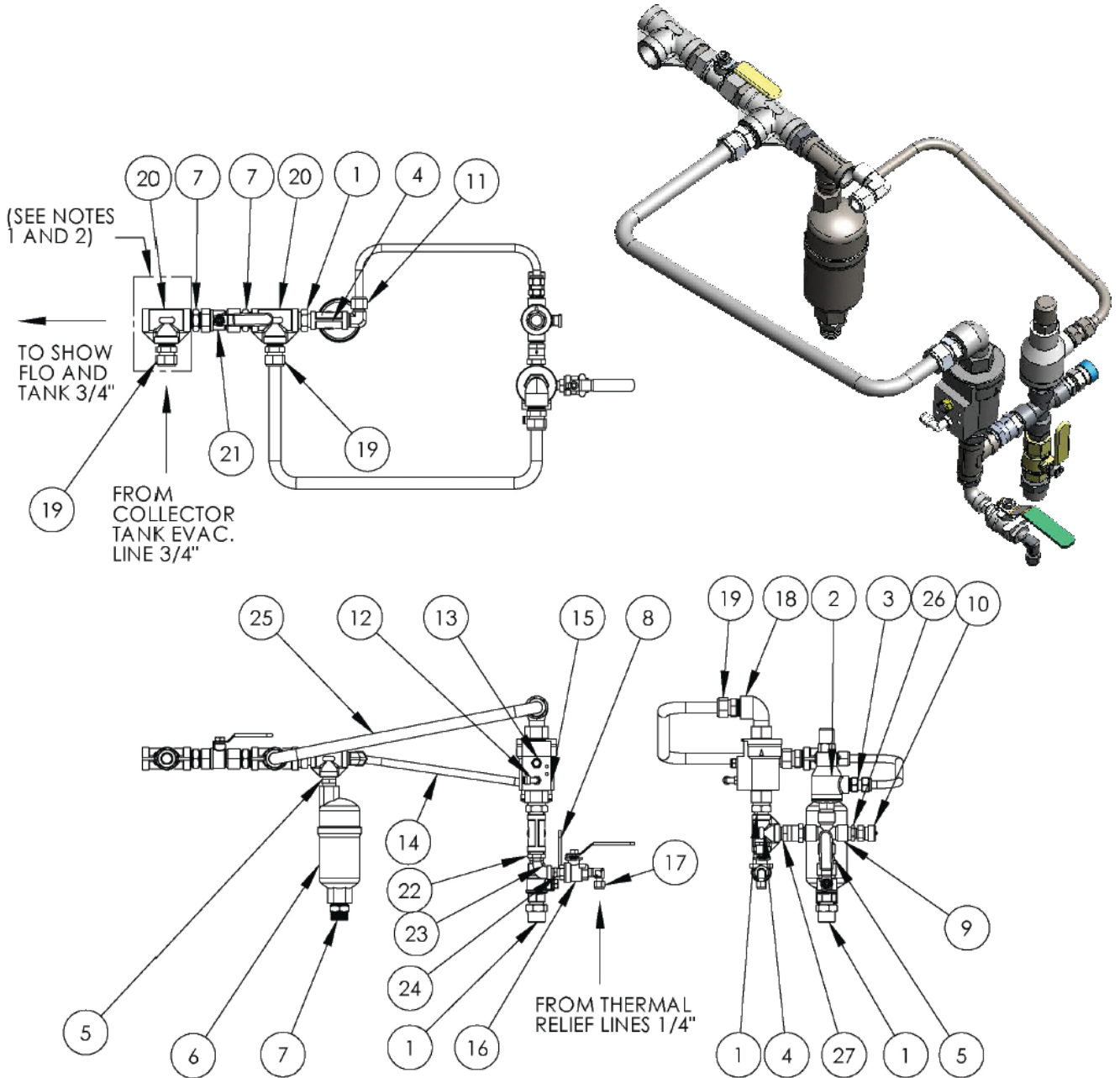
Ordering Information (Dispenser Assembly Kit - RH Operation)

Dispenser Sensing RH 5000-03-00			
Item No	Part No	Description	Qty
1	9065	3/4"BSPx1/2" BSP RED. NIPPLE SS	1
2	PR-095	1/2" BSP CERTIFIED RELIEF VALVE SS	1
3	9020	MALE ADAPTOR 1/2"BSP x 1/2" TUBE	3
4	T/PP90220	TEE - 1/2"BSP SS	2
5	0475	1/2" S/S HEX NIPPLE	5
6	8484	AIR ELIMINATOR	1
7	9888	NIPPLE 3/4"BSP SS	1
8	8445	3/8" AXIAL VALVE	1
9	0365FB	1/2" SS BALL VALVE FULL BORE	2
10	8656	1/2" X 3/8" REDUCING NIPPLE	2
11	0622	1/2" BSP SOCKET 304 SS	1
12	8578	1/2"BSP CROSS	1
13	8995	ELBOW F&F 1/2"BSP SS	2
14	MAS011	SAMPLING VALVE	1
15	9001	1/2" BSP x 1/2" TUBE SS ELBOW	1
16	8521	ELBOW FITTING 1/8"-6MM PUSH IN TUBE	1
17	2278V	1/8" AIR SILENCER	1
18	5000-03-01	TUBING FOR AXIAL VALVE TO TEE	1
19	5000-03-02	TUBING FOR PUMP RELIEF TO AE	1
20	SS-8CPA2-3	1/2"BSP NON RETURN VALVE 25 PSI	1
21	9994	BUSH RED 1/2"BSP x 3/8" BSP St.	1



Filter Standard Sensing Assemblies

Ordering Information (Refueller Assembly Kit)



NOTES:

1. Assembly depicts for Collector Tank Evacuation by Pneumatic Diaphragm Pump.
2. Items indicated are not used when Collector Tank is evacuated by education.
3. Apply Loctite 243 Threadlocker to all threads on assembly.
4. Ensure that the Axial Valve (Item 10) is mounted in a vertical orientation as shown.
5. Ensure correct setting of Check Valve 8852 or between 14-22 PSI.



Filter Standard Sensing Assemblies

Ordering Information (Refueller Assembly Kit)

Refueller Sensing 5000-03-04			
Item No	Part No	Description	Qty
1	9065	3/4"BSPx1/2" BSP RED. NIPPLE SS	3
2	PR-095	1/2" BSP CERTIFIED RELIEF VALVE SS	1
3	9020	MALE ADAPTOR 1/2"BSP x 1/2" TUBE	1
4	T/PP90220	TEE - 1/2"BSP SS	2
5	0475	1/2" S/S HEX NIPPLE	2
6	8484	AIR ELIMINATOR	1
7	9888	NIPPLE 3/4"BSP SS	3
8	0365FB	1/2" SS BALL VALVE FULL BORE	1
9	8578	1/2"BSP CROSS	1
10	MAS011	SAMPLING VALVE	1
11	9001	1/2" BSP x 1/2" TUBE SS ELBOW	1
12	8521	ELBOW FITTING 1/8"-6MM PUSH IN TUBE	1
13	2278V	1/8" AIR SILENCER	1
14	5000-03-02	TUBING FOR PUMP RELIEF TO AE	1
15	8509	3/4" AXIAL VALVE N/O	1
16	8498	1/4" VALL VALVE SS	1
17	9025	1/4" BSPx 1/4" TUBE COMP ELBOW SS	1
18	8993	ELBOW S/S BSP M&F 3/4"	1
19	9024	3/4"BSP x 3/4" TUBE SS STRAIGHT TUBE FITTING	3
20	9823-20	TEE EQUAL 3/4" BSP SS	2
21	0367	3/4" BALL VALVE	1
22	9039	1/2"x1/4" Reducing Bush SS	1
23	9014	1/4" M-F BSP ELBOW	1
24	8866	1/4"BSP HEX NIPPLE SS	1
25	5000-03-05	TUBING FOR AXIAL VALVE TO TEE - REFUELLER	1
26	9994	BUSH RED 1/2"BSP x 3/8" BSP SS (9994)	1
27	SS-8CPA2-3	1/2"BSP NON RETURN VALVE 25 PSI	1