

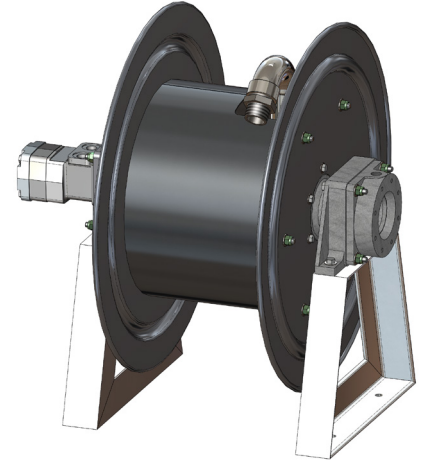
## Aviation Drum Style Hose Reels

Liquip offer the AHR250D series of drum style hose reel suitable for use with aviation fuels.

The AHR250D series is designed for the effective storage and use of a quantity of fuel delivery hose to make refuelling activity easy. When the fill point is located at varying locations the required length of hose can be dispensed manually and rewound by either hydraulic or manual means.

### Key Features

- Flow area is equal to 63mm throughout.
- All components are easily replaced as required.
- Sealing is by o-ring seals.
- Built tough to last in the harshest conditions.
- Hose nozzle storage can be fitted with interlocks to help prevent drive away accidents or product spills.
- A-frame mounting frame can be supplied upon request.
- 3" TTMA inlet flange has a ½" BSP tapped port for pressure testing in-situ.



**AHR250D-38-H-30**  
Hydraulic Rewind model shown

### Technical Information

<b>Operation</b>	<p><b>Dispense:</b> Un-hook the nozzle and dispense hose to the required location.</p> <p><b>Rewind:</b> Rotate manual handle or engage hydraulic motor.</p>
<b>Pressure tested &amp; rating</b>	Up to 2,100 kPa
<b>Periodic Service</b>	<p>Annually remove and repack bearing on each side of reel.</p> <p>4 x M12 Bolts - see mounting footprint on following pages.</p> <p>2 x A frames (AHR250-6) supplied separately.</p>
<b>Mounting</b>	Inlet flange to suit 75mm (3") TTMA - 8 off 3/8" BSW x 25mm deep blind threads on a 124mm PCD.
<b>Materials</b>	<p>Aluminium cheek plates and drum.</p> <p>Nickel plated steel gooseneck.</p> <p>Viton seals.</p> <p>Klinger gaskets.</p>
<b>Variants</b>	<p>Can suit the following diameter hose:</p> <p>25mm (1")</p> <p>32mm (1¼")</p> <p>38mm (1½")</p> <p>50mm (2")</p> <p>63mm (2½")</p>
<b>Rewind Mechanism</b>	Hydraulic or Manual.
<b>Drum widths</b>	<p>300mm (12")</p> <p>450mm (18")</p> <p>600mm (24")</p> <p>950mm (37")</p>

## Ordering Information

Example - **AHR250D-50-M-60**

Hosereel series	Gooseneck	Rewind Mechanism	Hose Drum Width
AHR250D	38 - 1½" BSPP 50 - 2" BSPP 63 - 2½" BSPP	M - Manual H - Hydraulic	30 - 300mm 45 - 450mm 60 - 600mm 95 - 950mm

## Associated Equipment

Cartwheel/Catherine type hosereels: AHR250 series

Recommended hose: Elaflex or Continental Aviation hose in sizes as per technical information table below.

Overwing Nozzles: AVN series overwing nozzles or OPW 295 series overwing nozzles.

Underwing Nozzles: Contact Liquip for ordering information.

Hydraulic Motor:

LIQ1295: HYD MOTOR DANFOSS (HOSEREEL).

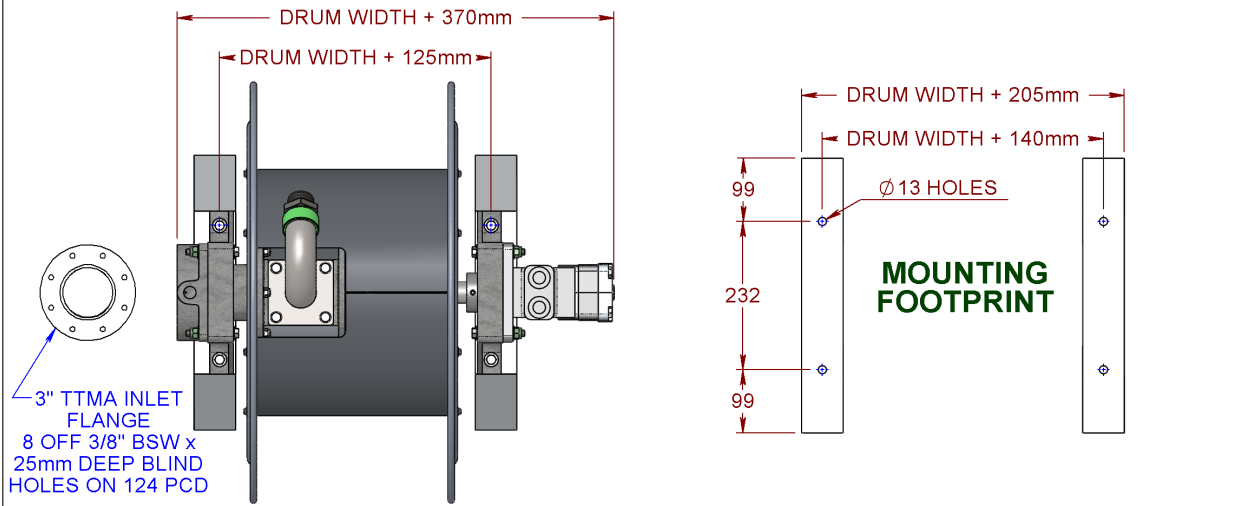


AHR Cartwheel/Catherine style  
hosereel shown

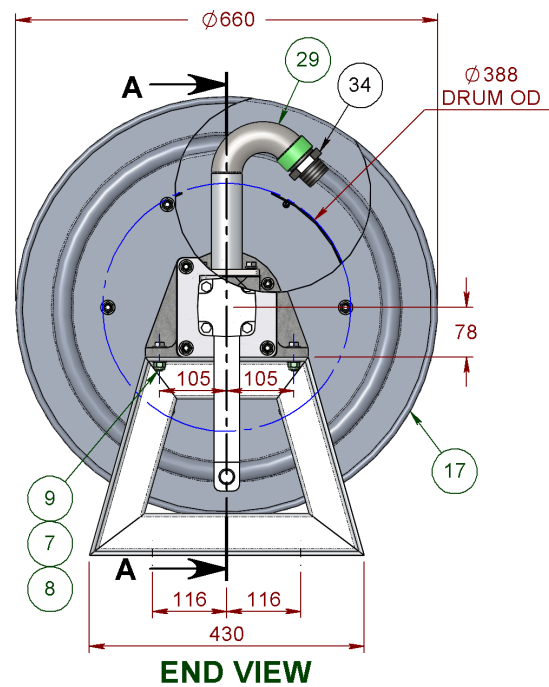
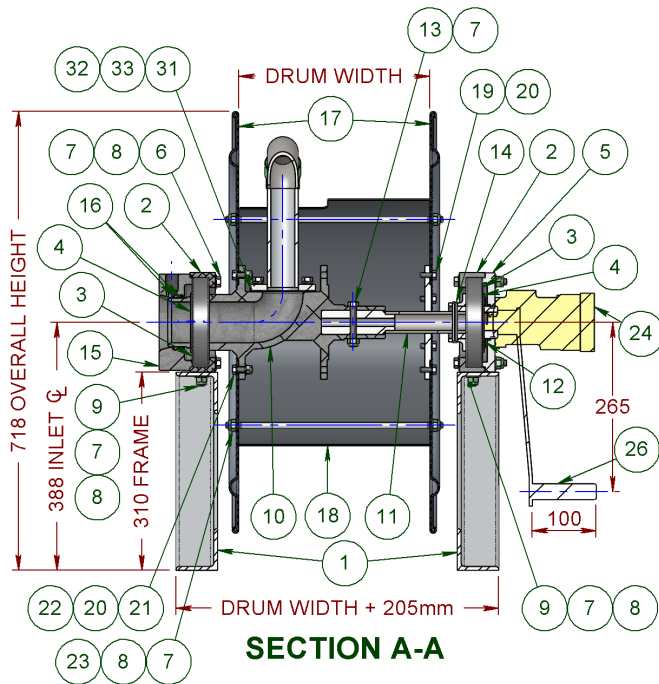


AVN042 series overwing nozzle  
shown

# AHR250D AVIATION DRUM STYLE HOSEREELS



**TOP VIEW**



2 OFF 'A' FRAMES (AHR250-6) ARE NOT SUPPLIED AS STANDARD.

## AHR250D AVIATION DRUM STYLE HOSEREELS

### AHR250D-50-M-60

38 - 1½" BSPP GOOSENECK  
50 - 2" BSPP GOOSENECK  
63 - 2½" BSPP GOOSENECK

M - MANUAL REWIND  
H - HYDRAULIC REWIND

30 - 300mm HOSE DRUM WIDTH  
45 - 450mm HOSE DRUM WIDTH  
60 - 600mm HOSE DRUM WIDTH  
95 - 950mm HOSE DRUM WIDTH

ITEM	PART No.	DESCRIPTION	AHR250D-xx-x-xx				MATERIAL
			AHR250D-xx-x-30	AHR250D-xx-x-45	AHR250D-xx-x-60	AHR250D-xx-x-95	
1	AHR250D-6	A-FRAME SUPPORT	2 OFF IF REQUIRED				Z/P STEEL
2	AHR250-2	HOUSING BEARING	2	2	2	2	ALUMINIUM
3	5715	BALL BEARING DEEP GROOVE	2	2	2	2	STEEL
4	4585	CIRCLIP EXTERNAL METRIC	2	2	2	2	STEEL
5	AHR250-13	MOUNTING PLATE	1	1	1	1	ALUMINIUM
6	0031	BOLT HEX HD IMP	8	8	8	8	Z/P STEEL
7	0150	NUT NYLOC	25	25	25	25	Z/P STEEL
8	0102	WASHER FLAT	36	36	36	36	Z/P STEEL
9	0062	BOLT HEX HD IMP	4	4	4	4	Z/P STEEL
10	AHR250-1	MANIFOLD	1	1	1	1	ALUMINIUM
11	AHR250-19	ADAPTOR BEARING	1	1	1	1	ALUMINIUM
12	0066	BOLT HEX	1	1	1	1	Z/P STEEL
13	6676	SPRING (ROLL) PIN	1	1	1	1	Z/P STEEL
14	AHR250-3	SEAL HOUSING	1	1	1	1	ALUMINIUM
15	0127	O-RING	2	2	2	2	VITON A
16	AHR250D-2	CHEEKPLATE FOR DRUM STYLE	2	2	2	2	ALUMINIUM
17	0011	SETSCREW HEX	6	6	6	6	Z/P STEEL
18	0101	WASHER FLAT	18	18	18	18	Z/P STEEL
19	0012	SETSCREW HEX	6	6	6	6	Z/P STEEL
20	0149	NUT NYLOC	6	6	6	6	Z/P STEEL
21	4281	GASKET - GOOSENECK	1	1	1	1	KLINGERITE
22	0022	SETSCREW HEX HD	4	4	4	4	Z/P STEEL
23	0109	WASHER SPRING	4	4	4	4	Z/P STEEL
24	AHR250D-9	HANDLE REWIND	AS REQUIRED				Z/P STEEL
25	1295	HYDRAULIC MOTOR					STEEL
26	AHR250D-5-30	SHAFT EXTENSION 300mm WIDE	1	-	-	-	Z/P STEEL
	AHR250D-5-45	SHAFT EXTENSION 450mm WIDE	-	1	-	-	Z/P STEEL
	AHR250D-5-60	SHAFT EXTENSION 600mm WIDE	-	-	1	-	Z/P STEEL
	AHR250D-5-95	SHAFT EXTENSION 950mm WIDE	-	-	-	1	Z/P STEEL
27	AHR250D-4-30	TIE ROD 300mm WIDE	6	-	-	-	MILD STEEL
	AHR250D-4-45	TIE ROD 450mm WIDE	-	6	-	-	MILD STEEL
	AHR250D-4-60	TIE ROD 600mm WIDE	-	-	6	-	MILD STEEL
	AHR250D-4-95	TIE ROD 950mm WIDE	-	-	-	6	MILD STEEL
28	AHR250D-3-30	DRUM 300mm WIDE	1	-	-	-	ALUMINIUM
	AHR250D-3-45	DRUM 450mm WIDE	-	1	-	-	ALUMINIUM
	AHR250D-3-60	DRUM 600mm WIDE	-	-	1	-	ALUMINIUM
	AHR250D-3-95	DRUM 950mm WIDE	-	-	-	1	ALUMINIUM
29	AHR250D-6-38	GOOSENECK - 1½" BSP	AS REQUIRED				N/P STEEL
	AHR250D-6-50	GOOSENECK - 2" BSP					N/P STEEL
	AHR250D-6-63	GOOSENECK - 2½" BSP					N/P STEEL
30	AAP SSN4025	REDUCING NIPPLE 1½" TO 1" BSP	AS REQUIRED				ST STEEL
	AAP SSN4032	REDUCING NIPPLE 1½" TO 1¼" BSP					ST STEEL
	AAP SSN40	HEX NIPPLE 1½" BSP					ST STEEL

# AHR250D AVIATION DRUM STYLE HOSEREELS

	VARIANTS	ITEM NO	PARTS REQUIRED	PART DESCRIPTION
HOSE SIZE	1" (25mm)	29	AHR250D-6-38	GOOSENECK 38mm
		30	AAP SSN4025	REDUCING NIPPLE 1½" BSP TO 1" BSP
	1¼" (32mm)	29	AHR250D-6-38	GOOSENECK 38mm
		30	AAP SSN4032	REDUCING NIPPLE 1½" BSP TO 1¼" BSP
	1½" (38mm)	29	AHR250D-6-38	GOOSENECK 38mm
		30	AAP SSN40	NIPPLE 1½" BSP
2" (50mm)	29	AHR250D-6-50	GOOSENECK 50mm	
	2½" (63mm)	29	AHR250D-6-63	GOOSENECK 68mm
REWIND TYPE	MANUAL	24	AHR250D-9	MANUAL REWIND HANDLE
	HYDRAULIC	25	1295	HYDRAULIC MOTOR
DRUM WIDTH	300mm	28	AHR250D-3-30	DRUM 300mm WIDE
		27	6 x AHR250D-4-30	TIE ROD 340mm
		26	AHR250D-5-30	EXTENSION SHAFT 262mm
	450mm	28	AHR250D-3-45	DRUM 450mm WIDE
		27	6 x AHR250D-4-45	TIE ROD 490mm
		26	AHR250D-5-45	EXTENSION SHAFT 412mm
	600mm	28	AHR250D-3-60	DRUM 600mm WIDE
		27	6 x AHR250D-4-60	TIE ROD 640mm
		26	AHR250D-5-60	EXTENSION SHAFT 562mm
	950mm	28	AHR250D-3-95	DRUM 950mm WIDE
		27	6 x AHR250D-4-95	TIE ROD 990mm
		26	AHR250D-5-95	EXTENSION SHAFT 912mm

## Maximum possible hose length in metres

Hose Size NB (OD)	300mm wide (with beads)	450mm wide (with beads)	600mm wide (with beads)	950mm wide (with beads)
1" (37mm)	38 (16)	58 (26)	77 (32)	120 (52)
1¼" (44mm)	18 (6)	31 (9)	40 (13)	64 (20)
1½" (51mm)	16 (5)	25 (7)	35 (11)	57 (18)
2" (66mm)	6 (4)	9 (6)	13 (9)	21 (14)
2½" (79mm)	5 (3)	7.5 (5)	10.5 (8)	18 (13)